



Black Electric Multi Motor Corner Desk Frame Instruction Manual



SKU: DESK-V130EB



Scan the QR code with your mobile device or follow the link for helpful videos and specifications related to this product.

<https://vivo-us.com/products/desk-v130eb>

GET IN TOUCH | Monday-Friday from 7:00am-7:00pm CST



help@vivo-us.com



www.vivo-us.com
Chat live with an agent!



309-278-5303

WARNING!

If you do not understand these directions, or if you have any doubts about the safety of the installation, please call a qualified technician. Check carefully to make sure there are no missing or defective parts. Improper installation may cause damage or serious injury. Do not use this product for any purpose that is not explicitly specified in this manual and do not exceed weight capacity. We cannot be liable for damage or injury caused by improper mounting, incorrect assembly, or inappropriate use.

ELECTRICAL SAFETY INSTRUCTIONS

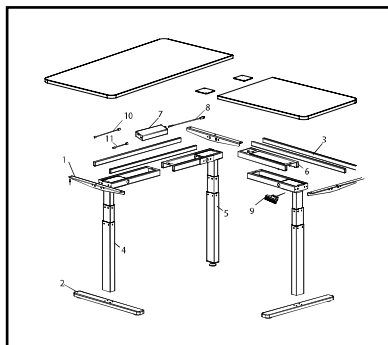
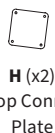
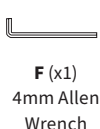
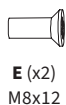
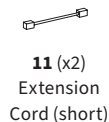
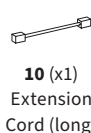
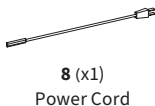
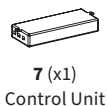
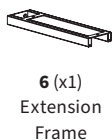
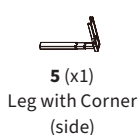
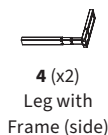
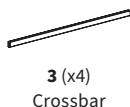
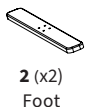
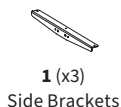
THIS PRODUCT IS POWERED BY ELECTRICITY. IN ORDER TO AVOID BURNS, FIRE AND ELECTRIC SHOCK, PLEASE READ THE FOLLOWING INSTRUCTIONS CAREFULLY.

- DO NOT CLEAN PRODUCT WHILE POWER IS CONNECTED.
- DO NOT DISASSEMBLE OR REPLACE COMPONENTS WHILE POWER IS CONNECTED.
- NEVER OPERATE THE SYSTEM WITH A DAMAGED CORD OR PLUG. PLEASE CONTACT YOUR SELLER TO REPLACE DAMAGED PARTS.
- NEVER OPERATE SYSTEM IN DAMP ENVIRONMENTS OR IF ANY ELECTRICAL COMPONENTS HAVE MADE CONTACT WITH LIQUIDS.
- ALTERATIONS OF THE GIVEN POWER UNIT ARE NOT ALLOWED.
- OUTDOOR USE IS PROHIBITED.

WARNING: CHOKING HAZARD

SMALL PARTS - NOT FOR CHILDREN UNDER 3 YEARS. ADULT SUPERVISION IS REQUIRED.

PACKAGE CONTENTS



NOTE: Some extra screws are included.

WARNING

PINCH POINT

DO NOT place hands on or near support bars. Moving parts can crush and cut. Pinch points are created during lifting and lowering the worksurface. Failure to follow these instructions may result in serious personal injury.



TOOLS NEEDED



Phillips
Screwdriver



Drill

DO NOT EXCEED WEIGHT CAPACITY.

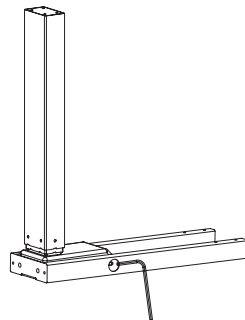
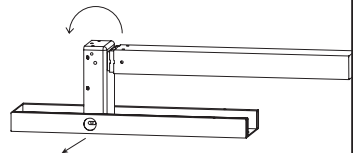
Failure to do so may result in serious injury.



ASSEMBLY STEPS

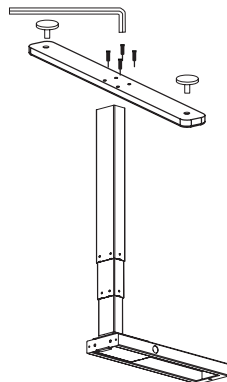
STEP 1

Loosen, but do not remove, screws in legs **(4, 5)**. Tilt legs up and into frames. Tighten screws with the 4mm Allen wrench **(F)**.



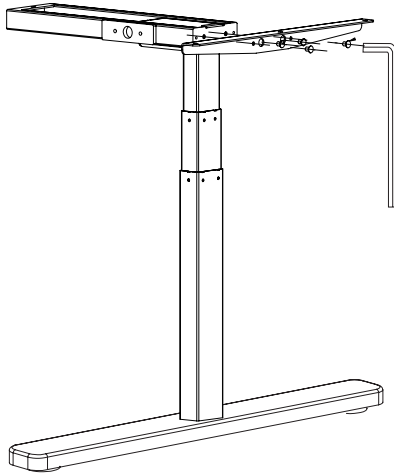
STEP 2

Attach feet **(2)** to side legs using four M6x12 screws **(B)** for each, then tighten with the 4mm Allen wrench. Remove protective film from foot pads **(C)** and install pads into feet.



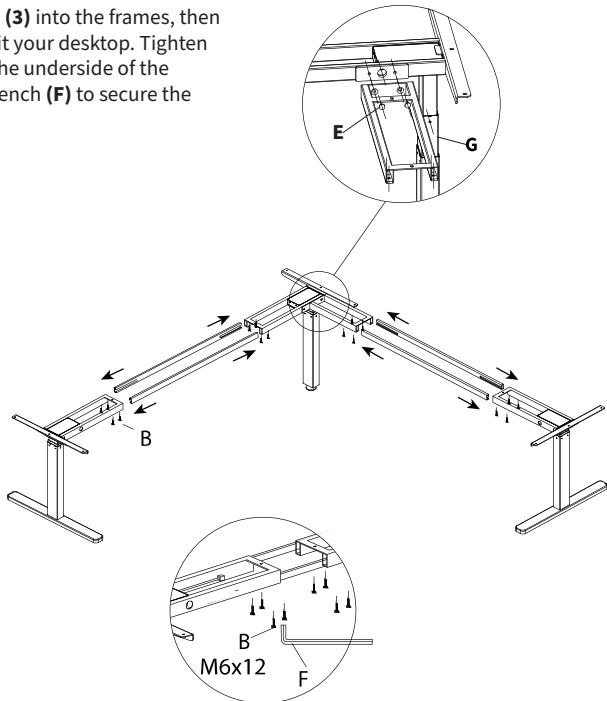
STEP 3

Turn legs right side up. Secure frame on each leg with two M6x16 screws (**D**) using the 4mm Allen wrench (**F**). Attach the side brackets (**1**) to the frames using two M6x16 screws for each and tighten with the 4mm Allen wrench (**F**).



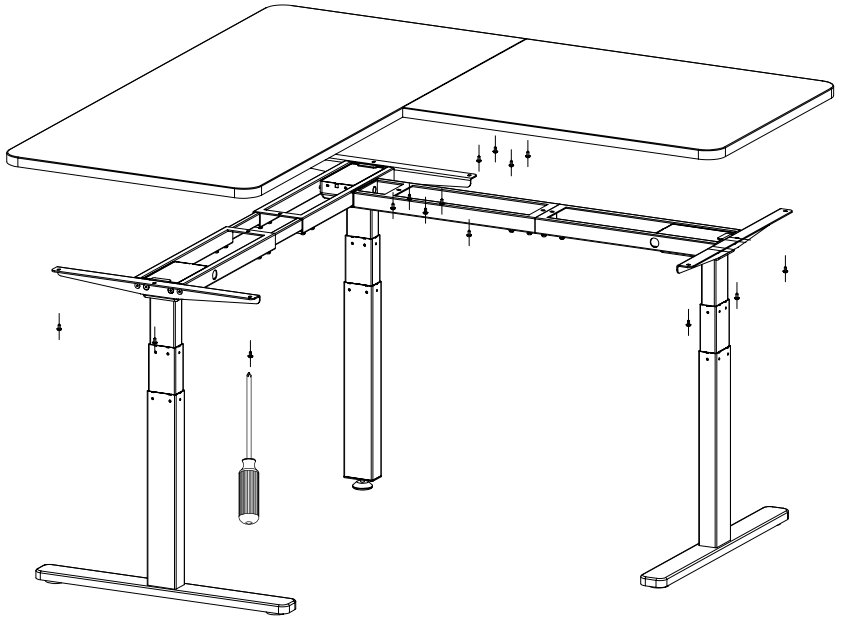
STEP 4

Attach extension frame (**6**) to leg with frame (corner) using M8x12 screws (**E**) and tighten with the 5mm Allen wrench (**G**). Slide the crossbars (**3**) into the frames, then adjust the size of the frame to fit your desktop. Tighten sixteen M6x12 screws (**B**) into the underside of the frames using the 4mm Allen wrench (**F**) to secure the adjusted length.



STEP 5

Place desktop(s) on the assembled desk frame and mark drilling locations for screw holes with a pencil. Remove desktop(s) and drill $\frac{3}{8}$ " (10mm) deep pilot holes using a $\frac{1}{8}$ " (or 3mm) drill bit. Place the desktop(s) back onto the frame and secure using fourteen M5x16 screws **(A)**. If using two desktops, use the connecting plates **(H)** and eight M5x16 screws **(A)** to join the desktops



STEP 6

Remove the protective film from the control panel (9). Mount the control panel and control unit (7) to the underside of the desktop using four M5x16 screws (A). Use the extension cords (10, 11) to connect the motors to the control unit, then connect the control panel and power cord (8). Attach cable clips (1) where desired.

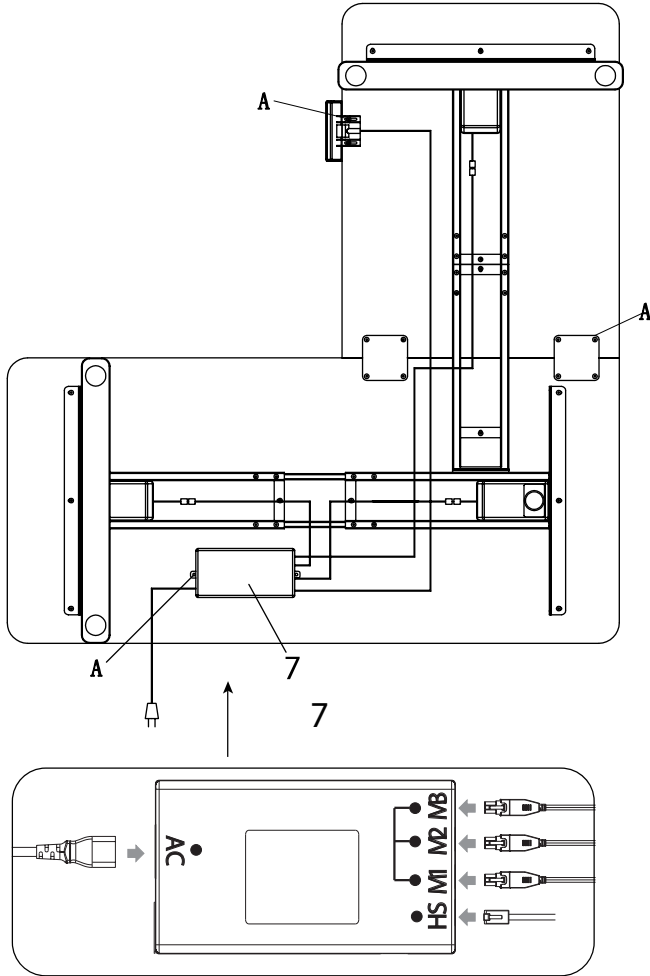


Figure 1: The controller is prohibited from suspension testing to avoid false alarm.

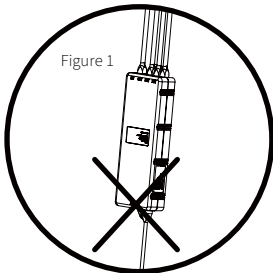
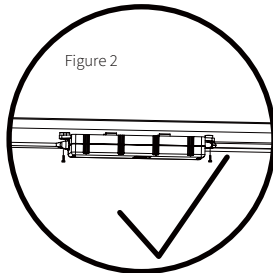
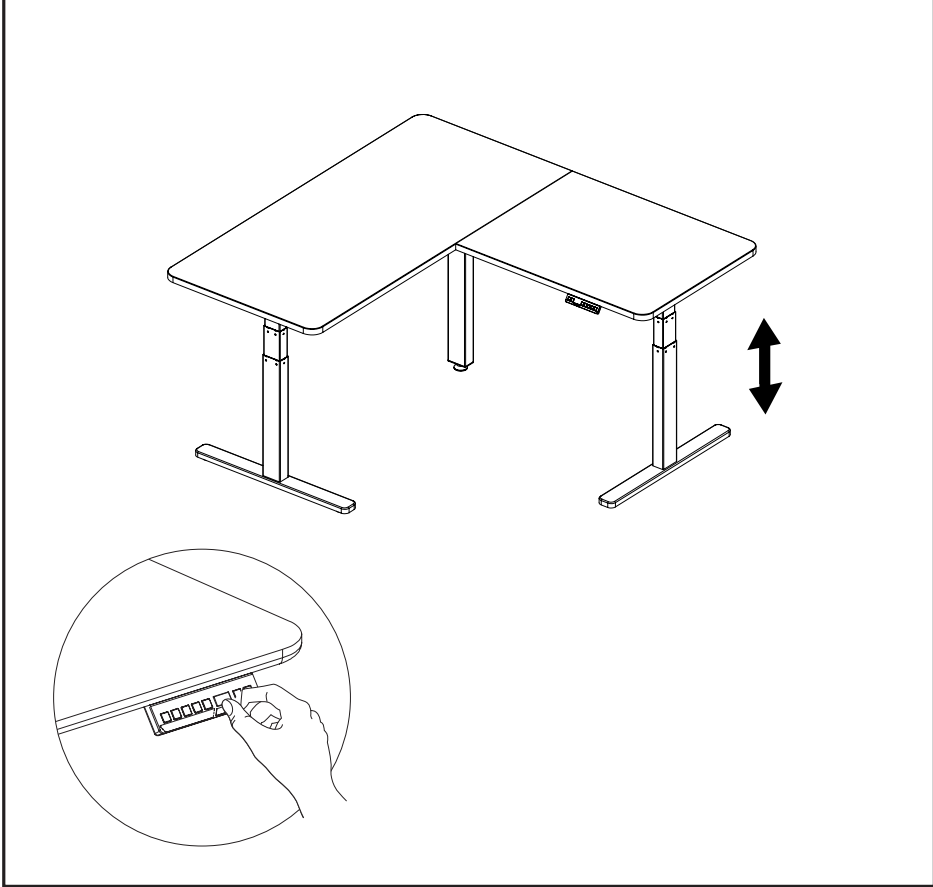


Figure 2: The controller must be fixed before testing.



STEP 7

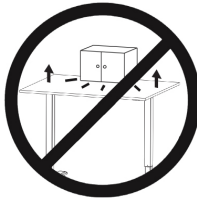
Plug the power cable into an AC wall outlet, then use the control panel to adjust the height.



CAUTION!



Do not exceed desk weight limit.



Keep area of vertical motion free of obstacles.



Keep weight on desk balanced for correct operation and longer life of components.



Leave enough slack in cables to allow for full range of vertical motion.

Failure to follow these instructions may result in property damage and/or personal injury.

PLEASE NOTE: The control unit has a gyroscope sensor and **MUST** be fixed to the desk for correct operation.



Open **Monday - Friday 7:00am - 7:00pm** CST,
our dedicated support team can offer immediate assistance with rapid response times. If any parts are received damaged or defective, please contact us. We are happy to replace parts to ensure you have a fully functioning product.


 help@vivo-us.com

AVG. RESPONSE TIME (*within office hrs*): **1HR 8M**

- 23% within < 15m
- 38% within < 30m
- 61% within < 1hr
- 83% within < 2hr
- 92% within < 3hr

 www.vivo-us.com
Chat live with an agent!

AVG. RESOLUTION TIME (*within office hrs*): **< 15 M**

 309-278-5303

AVG. RESOLUTION TIME (*within office hrs*): **5M 4S**